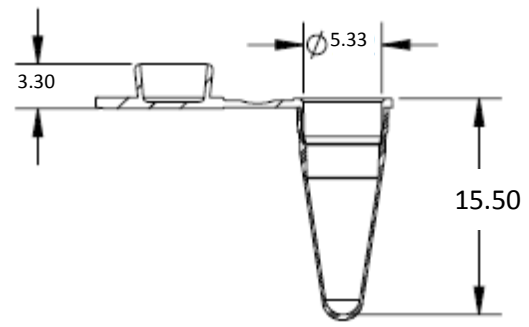
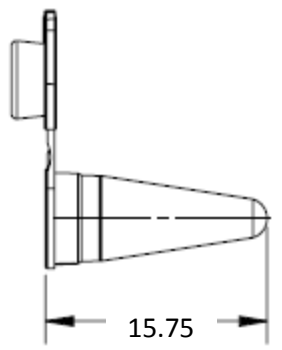
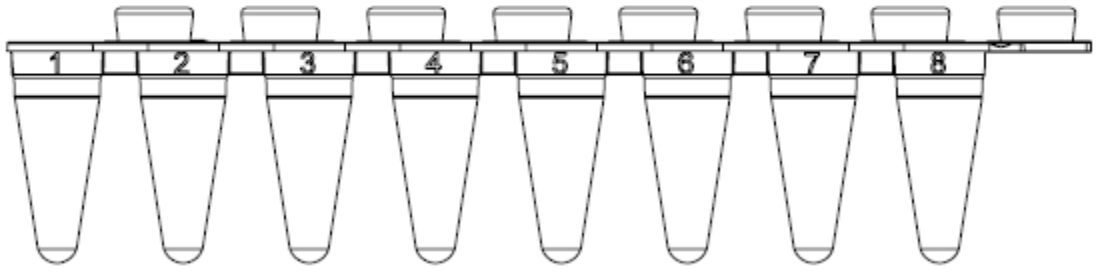
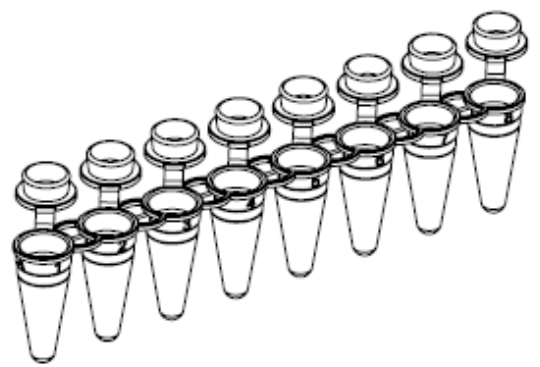
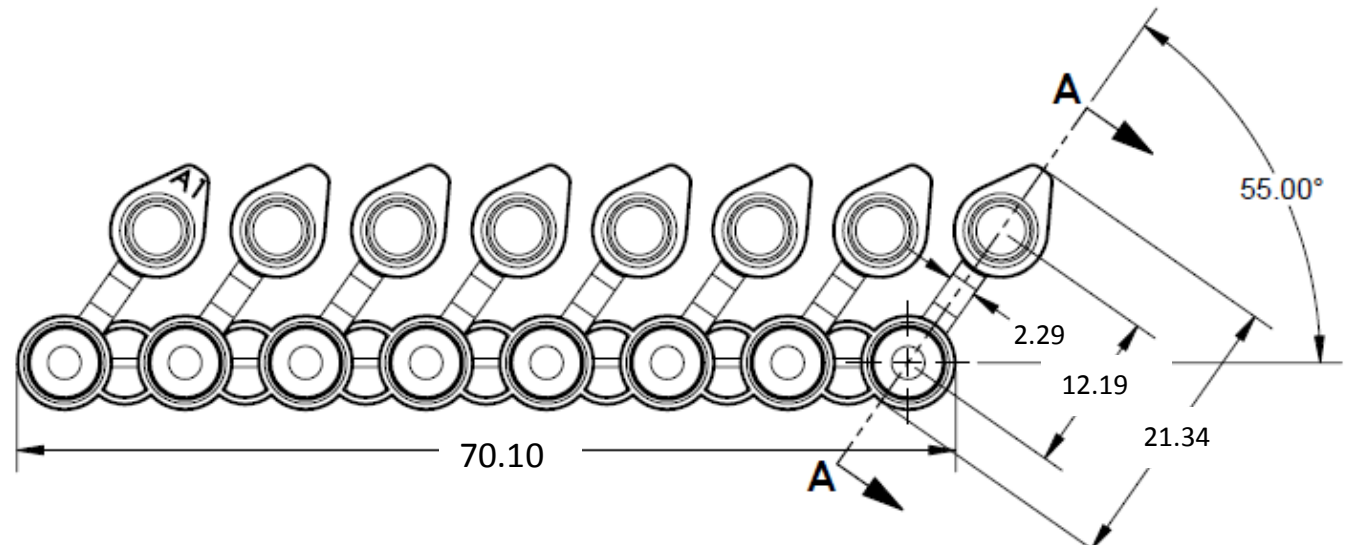
	Identification number		QC - 0354	
	Title		Technical Drawing 4ti-0793	
	Revision	001	Effective date	24.07.2014
	Document owned by	QC	Page	1



**SECTION A-A**