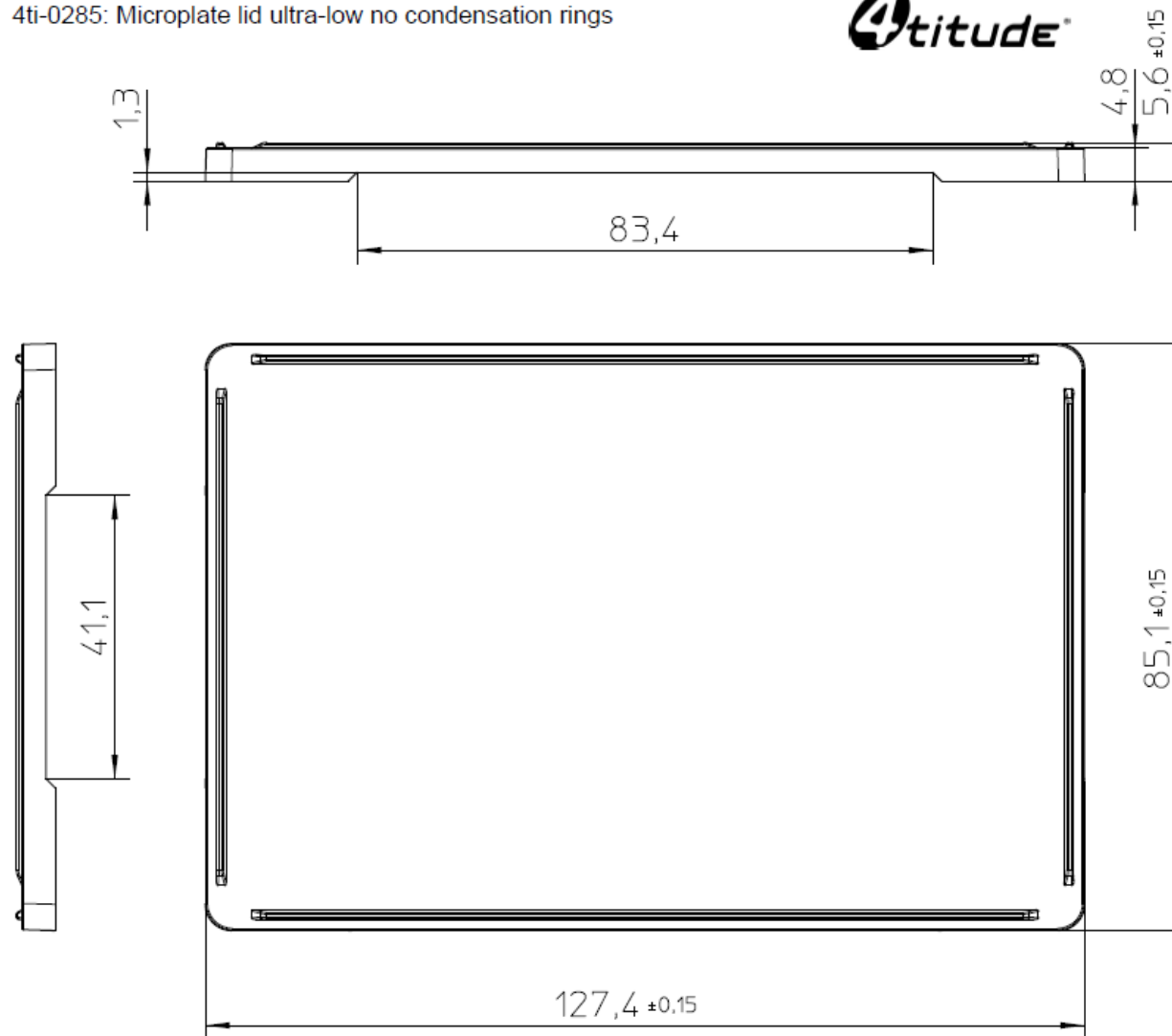
	Identification Number	QC – 0175		
	Title	Technical Drawing 4ti-0285		
	Revision	001	Effective Date	23/08/2013
	Document Owner	QC	Page	1

4ti-0285: Microplate lid ultra-low no condensation rings



All dimensions in mm