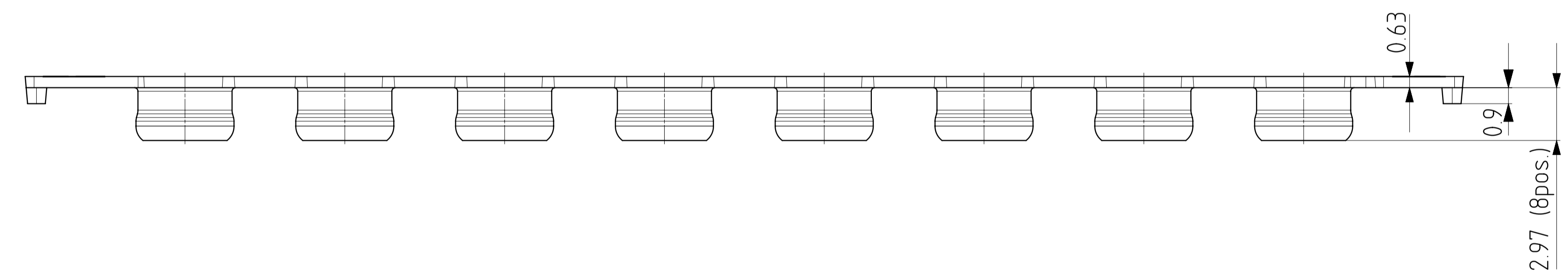
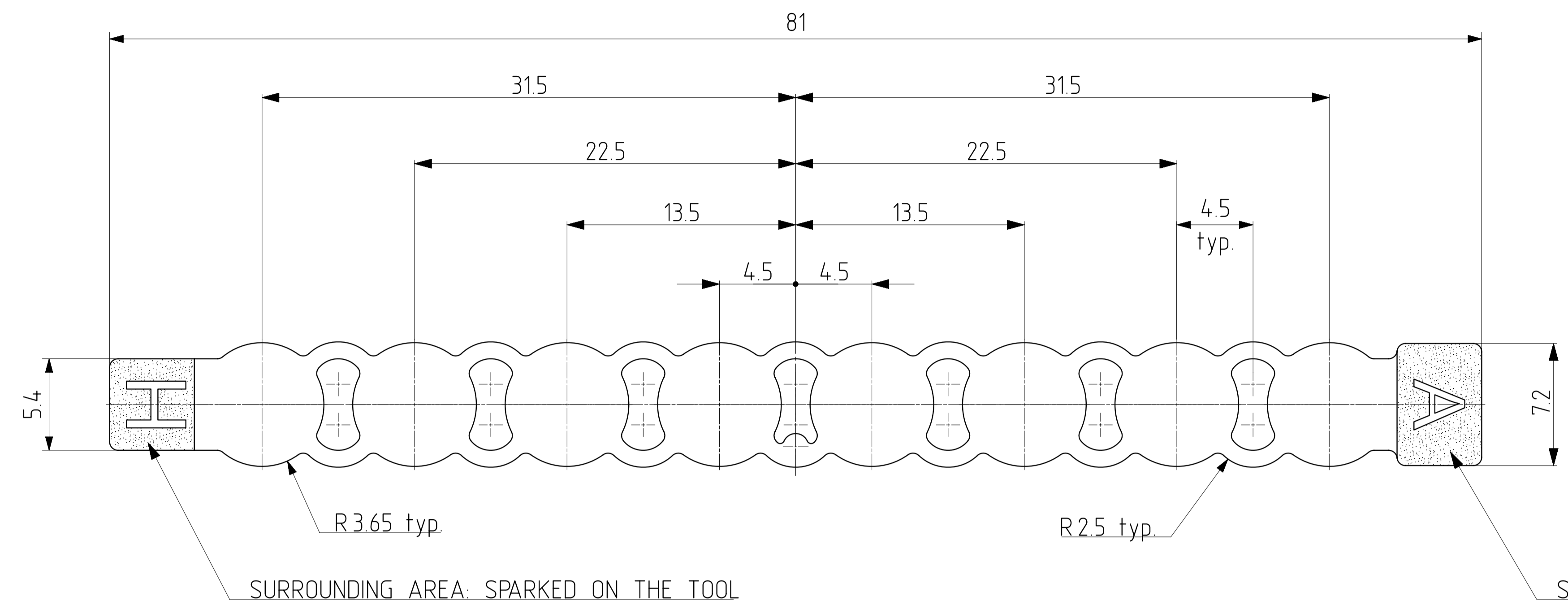
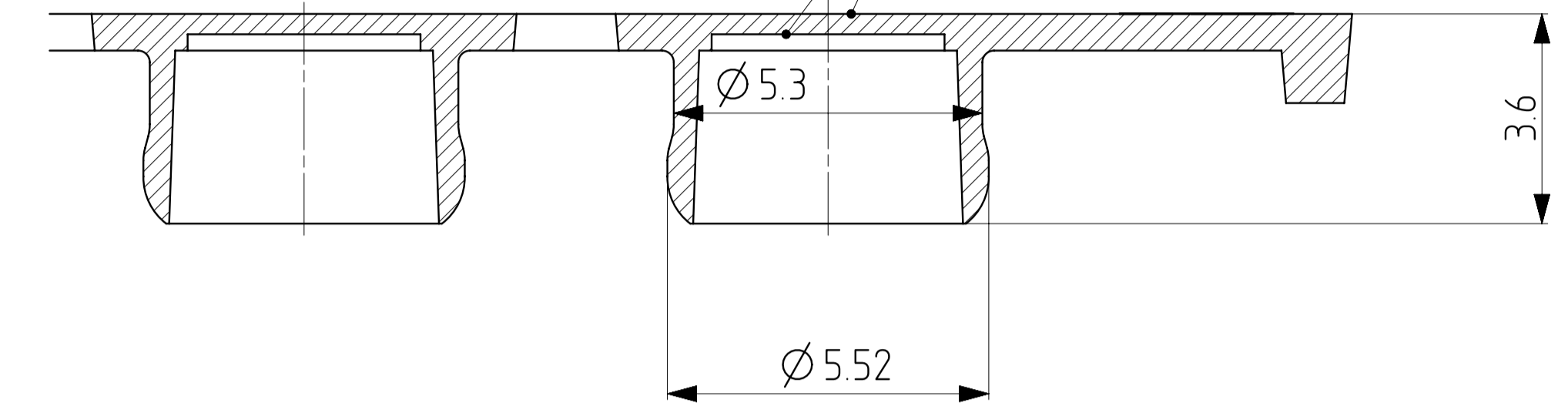
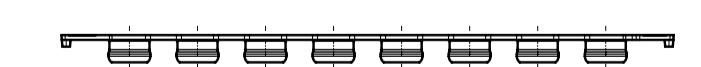
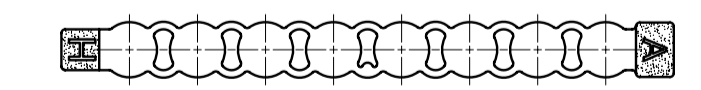


CAP DETAIL 10:1

This surfaces to have high gloss finish



NOTE:
ALL FACES TO HAVE A SMOOTH GLOSS FINISH (HIGHLY POLISHED ON TOOL)



ACTUAL SIZE

ISSUE	DATE	AMENDMENT



DO NOT SCALE
IF IN DOUBT ASK

CUSTOMER	CUSTOMER DRG No.	ISSUE
MATERIAL	POLYPROPYLENE	
TOLERANCES	0 ±0.15 0.0 ±0.05 0.00 ±0.02 ANGULAR ±0°30' (ALL DIMENSIONS IN MILLIMETRES)	
GENERAL TOLERANCES (UNLESS OTHERWISE STATED)		

DRAWN	ZE
DATE	08.01.2020
CHECKED & SIGNATURE	PP
DATE	
SCALE	

TITLE	Strip of 8 flat optical cap Marketing drawing	
DRAWING No.	4ti-0751	
SHEET No.	1 OF 1	ISSUE F